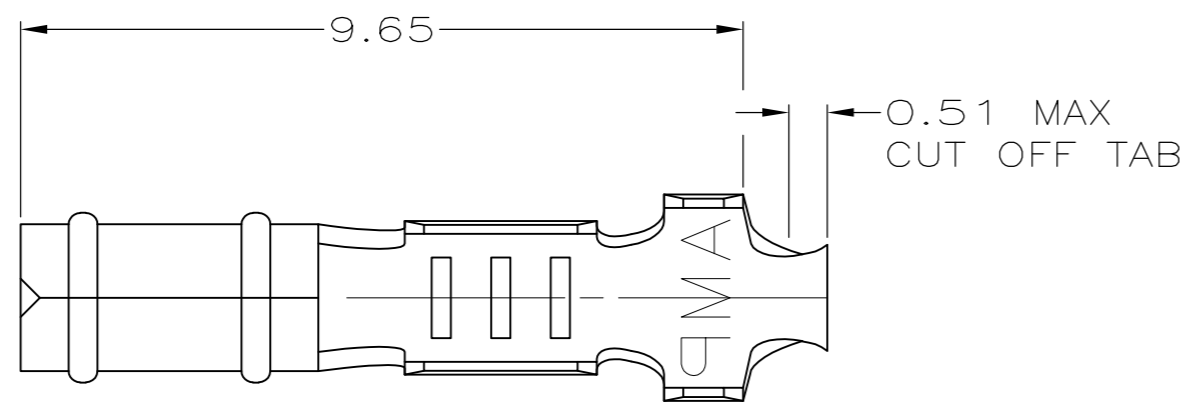


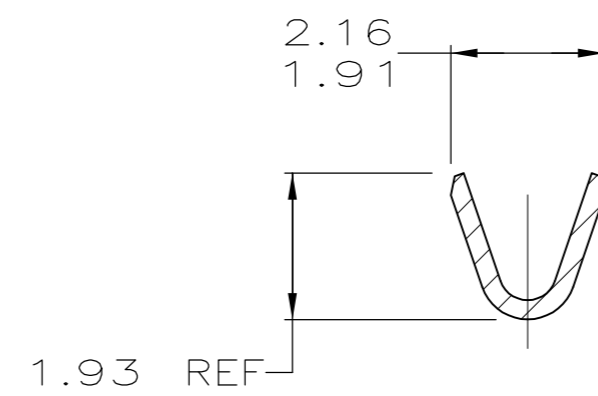
THIS DRAWING IS UNPUBLISHED. RELEASED FOR PUBLICATION  
 © COPYRIGHT - By - ALL RIGHTS RESERVED.

LOC	DIST	REVISIONS			
P	LTR	DESCRIPTION	DATE	DWN	APVD
CM	52	AE1	REVISED PER ECO-11-004917	11MAR11	RK HMR

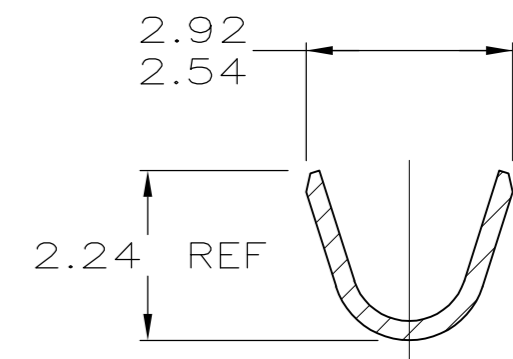
- ① 0.00038 MIN SELECTIVE GOLD PLATING ON INSIDE OF RECEPTACLE AND WIRE BARREL OVER NICKEL OVER ALL UNDERPLATE.
- ② 0.00076 MIN SELECTIVE GOLD PLATING ON INSIDE OF RECEPTACLE AND WIRE BARREL OVER NICKEL OVER ALL UNDERPLATE.
- 3. WIRE RANGE: 0.2 - 0.6 MM<sup>2</sup> (24 - 20 AWG)
- 4. INSULATION RANGE: 1.14 - 1.78



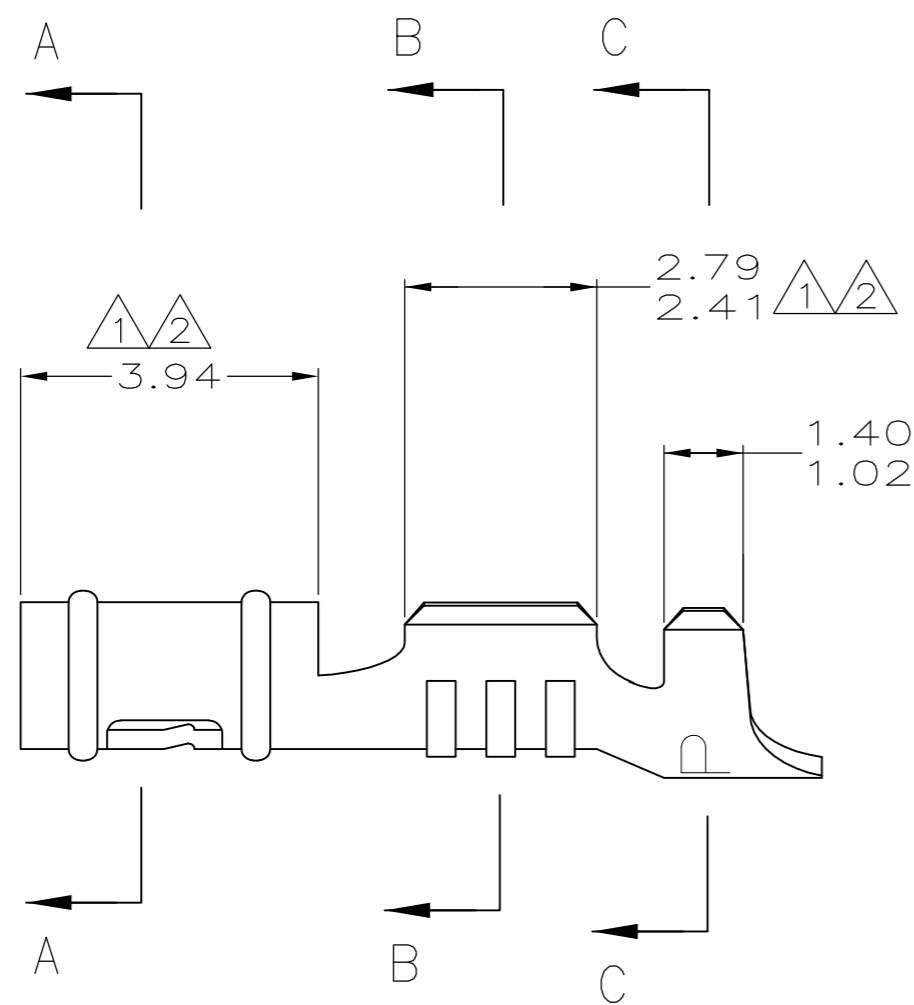
SECTION A-A



SECTION B-B



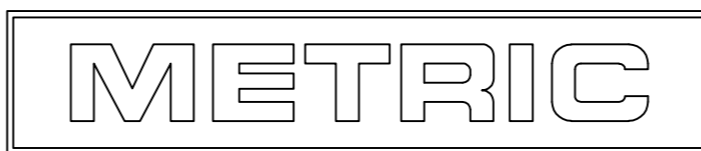
SECTION C-C



①	0.25 BE CU	60789-8
②	0.25 PH BRZ	60789-3
MATTE TIN	0.25 BE CU	60789-2
PRE-TIN	0.25 PH BRZ	60789-1
FINISH	MATERIAL	PART NUMBER

1.02	.040	1.78	.070	2.54	.100	-	-
0.51	.020	1.486	.0585	2.41	.095	-	-
0.25	.010	1.47	.058	2.24	.088	9.65	.380
0.13	.005	1.40	.055	2.16	.085	3.94	.155
0.00076	.000030	1.359	.0535	1.93	.076	2.92	.115
0.00038	.000015	1.14	.045	1.91	.075	2.79	.110
MM	IN	MM	IN	MM	IN	MM	IN

CONVERSION TABLE



THIS DRAWING IS A CONTROLLED DOCUMENT.

DIMENSIONS:	TOLERANCES UNLESS OTHERWISE SPECIFIED:	DWN	6-11-97				
mm		T. BECK					
		CHK	6-11-97				
		R. SWING					
		APVD	6-17-97	<b>TE</b> TE Connectivity RECEPTACLE, .058 DIAMETER, 24-20 AWG, .045-.070 INSULATION, LOOSE PIECE, P.C. CONTACT			
		A. BEDDICK					
MATERIAL	FINISH	PRODUCT SPEC	108-1025	SIZE	CAGE CODE	DRAWING NO	RESTRICTED TO
SEE TABLE	SEE TABLE	APPLICATION SPEC	114-1008	A2	00779	C-60789	-
		WEIGHT	-	CUSTOMER DRAWING	SCALE	10:1	SHEET 1 of 1
		REVISIONS	AE1				